

WS201



INFORMAZIONI TECNICHE - TECHNICAL INFORMATION

| | | |
|--------------------------------------|-----------------------------------|---------------|
| Portata (L/min) | Flow (L/min) | 15 |
| Portata (US Gpm) | Flow (US Gpm) | 3,96 |
| Regime di rotazione (rpm) | Rotation regime (rpm) | 1450 |
| Pressione (MPa) | Pressure (MPa) | 20 |
| Pressione (bar) | Pressure (bar) | 200 |
| Pressione (psi) | Pressure (psi) | 2900 |
| Potenza (hp) | Power (hp) | 7,5 |
| Potenza (kW) | Power (kW) | 5,51 |
| Dimensioni d'ingombro L x l x h (mm) | Overall dimensions L x l x h (mm) | 317,5x236x180 |
| Peso (kg) | Weight (kg) | 14,5 |

WS201

VERSIONI - VERSIONS

| | | |
|---|------|---|
| Albero maschio con linguetta - Male shaft (key) | Pag. | 3 |
| Albero maschio con linguetta - vers. ATEX - Male shaft (key) - vers. ATEX | Pag. | 6 |

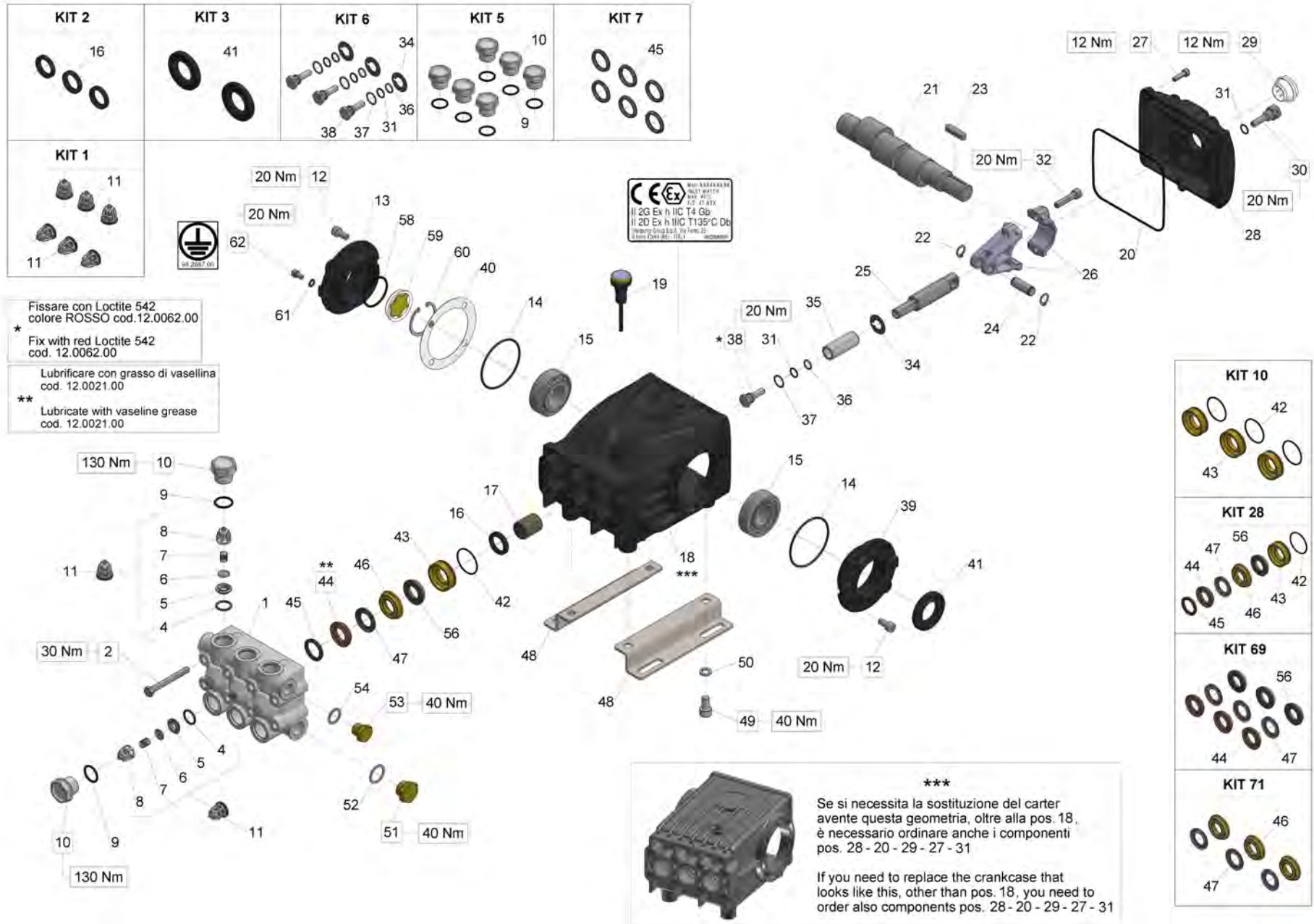
Albero maschio con linguetta - Male shaft (key)

| Ref. | Codice - Part n° | Qtà - Qty | Descrizione | Description |
|------|------------------|-----------|--------------------------------------|---|
| 1 | 47120241 | 1 | TESTATA POMPA D.20-22-24 NK. | MANIFOLD |
| 2 | 99320600 | 8 | VITE M08X70 5737 10.9 ZINC+DE | HEX-HEAD SCREW M08X70 UNI5737 10.9 Fe/Zn5c1A+De |
| 4 | 90384100 | 6 | OR D. 17.12x2.62 NBR 70SH 3068 | O-RING 17,12X2,62 (3068) |
| 5 | 36200366 | 6 | SEDE VALVOLA INOX | VALVE SEAT |
| 6 | 36200176 | 6 | VALVOLA SFERICA | VALVE PLATE |
| 7 | 94737600 | 6 | MOLLA Dm 9,4x14,8 INOX | SPRING D. 9,4X14,8 |
| 8 | 36200251 | 6 | GUIDA VALV.ASP.MAND. | VALVE CAGE |
| 9 | 90384700 | 6 | OR D. 20.29x2.62 NBR 90SH 3081 | O-RING 20,29X2,62(3081) |
| 10 | 98222200 | 6 | TAPPO M24x2x16.5 NICKEL | VALVE PLUG M24X2X16 NICKEL PL. |
| 11 | 36703201 | 6 | GR. VALVOLA ASP. MAND. | VALVE ASSY. |
| 12 | 99303900 | 8 | VITE M08X16 5931 8.8 ZINC | SCREW M 8x16 UNI 5931 |
| 13 | 47151122 | 1 | COPERCHIO LAT. CHIUSO 47-66 | CLOSED SIDE COVER (47-66) |
| 14 | 90391300 | 2 | OR D. 67.95x2.62 NBR 70SH 3268 | O-RING 67,95X2,62 (3268) |
| 15 | 91837500 | 2 | CUSCINETTO RULLI CON. 32206 | TAPER BEARING |
| 16 | 90162500 | 3 | ANELLO RAD. 22.0x32.0x5.0 (S.47-66) | OIL SEAL 22x32x5 |
| 17 | 90912600 | 3 | BOCCOLA D.22X25X30 | BUSHING 22X25X30 |
| 18 | 47010822 | 1 | CARTER POMPA 47-S | CRANKCASE |
| 19 | 98210600 | 1 | ASTA LIVELLO OLIO G3/8x64 D.4 | OIL DIP-STICK G3/8X80 |
| 20 | 90392200 | 1 | OR D.133.02x2.62 NBR 70SH 3525 | O-RING D.133.02X 2,62(3525) |
| 21 | 47021835 | 1 | ALBERO ECC.C.12 SPDF 24x40 (marc. 6) | CRANKSHAFT C.12 S.p.f. U.S. |
| 22 | 90055700 | 6 | ANELLO ARRESTO A12 UNI7435 | CIRCLIP D.12 UNI 7435 |
| 23 | 91489200 | 1 | LINGUETTA 08x07x035 UNI6604/A | KEY 8(h9)X7X35 UNI 6604/A |
| 24 | 97738000 | 3 | SPINOTTO D.13x35,5 (47) | CONNECTING-ROD PIN D.13X35,5 |
| 25 | 47050466 | 3 | GUIDA PISTONE - INOX | PISTON GUIDE - S.S. |
| 26 | 47030001 | 3 | BIELLA COMPLETA | CONNECTING ROD |
| 27 | 99188400 | 5 | VITE M06X20 5931 8.8 ZINC | SCREW M 6x20 UNI 5931 |
| 28 | 47160622 | 1 | COPERCHIO POSTERIORE CARTER 47-S | CRANKCASE COVER |
| 29 | 47221301 | 1 | GRUPPO SPIA LIVELLO OLIO G3/4 | OIL SIGHT GLASS ASSY G3/4 |
| 30 | 98204250 | 1 | TAPPO G1/4x9 TE17 ZINC. | PLUG G1/4"x12 |
| 31 | 90358500 | 4 | OR D. 10.82x1.78 NBR 70SH 2043 | O-RING 10,82X1,78 (2043) |
| 32 | 99309900 | 6 | VITE M08X35 5931 8.8 ZINC | SCREW M 8x35 UNI 5931 |
| 34 | 96728600 | 3 | ROSETTA 14.0x28.0x0.5 | WASHER 14X28X0,5 |
| 35 | 47040409 | 3 | PISTONE D.20x50 | PISTON D. 20x50 |
| 36 | 90506700 | 3 | ANELLO ANTIEST. 11.0x14.0x1.5 | ANTI-EXTRUSION RING |
| 37 | 96728000 | 3 | ROSETTA 14.0x18.5x0.5 CU | WASHER 14X18,5X0,5 |
| 38 | 47219566 | 3 | VITE FISSAGGIO PISTONE | PISTON SCREW |

Albero maschio con linguetta - Male shaft (key)

| Ref. | Codice - Part n° | Qtà - Qty | Descrizione | Description |
|-------|------------------|-----------|--|--------------------------------|
| 39 | 47151022 | 1 | COPERCHIO LAT. APERTO 47-66 | OPEN SIDE COVER (47-66) |
| 40 | 97567800 | 1 | SPESSORE D.74,5x104x0,1 SERIE 47 | SHIM D.74,5X104X0,1 |
| 40 | 97568000 | 1 | SPESSORE D.74,5X104X0,3 SERIE 47 | SHIM D.74.5X104X0.3 |
| 41 | 90164800 | 1 | ANELLO RAD. 30.0x55.0x7.0 (S.47-66) | OIL SEAL 30x55x7 |
| 42 | 90361600 | 3 | OR D. 34.65x1.78 NBR 70SH 2137 | O-RING 34,65X1,78 (2137) |
| 43 | 47080570 | 3 | ANELLO DI FONDO D.20 | PACKING RETAINER D. 20x35 |
| 44 | 90270500 | 3 | ANELLO TEN. ALT. D. 20.0x35.0x7.5 HP (70.KE) | PACKING 20x35x7,5 |
| 45 | 47100051 | 3 | ANELLO DI TESTA D.20 | HEAD RING D. 20 |
| 46 | 47216970 | 3 | ANELLO INTERMEDIO D.20 | INTERM.RING D. 20 (SPEC.) |
| 47 | 90270400 | 3 | ANELLO RESTOP 20x35x5,5/2 | RESTOP RING D. 20 TYPE 6/1 |
| 48 | 47200074 | 2 | PIEDINO POMPA RICHIESTA | PUMP FOOT |
| 49 | 99364400 | 4 | VITE M10X18 5931 8.8 ZINC | SCREW M 10x18-5931 |
| 50 | 96710600 | 4 | ROSETTA 10.2x16.0x2.5 D7980 ZINC RICH 1 | WASHER 10,2 |
| 51 | 98217600 | 1 | TAPPO G 1/2x10 OTTONE | PLUG G1/2X10 |
| 52 | 96751400 | 1 | ROSETTA 21.5x27.0x1.5 AL | WASHER 21,5X27X1,5 |
| 53 | 98210000 | 1 | TAPPO G3/8x13 OTTONE | PLUG G3/8X13 |
| 54 | 96738000 | 1 | ROSETTA 17.5x23.0x1.5 AL | WASHER 17,5X23X1,5 |
| 56 | 90271000 | 3 | ANELLO TEN.ALT.20.0x35x8.7 LP | PACKING D.20X35X9 L.P. |
| KIT1 | 34000101 | 1 | KIT 1 VALVOLA ASP.MAND. | KIT 1 INTAKE/DELIVERY VALVE |
| KIT2 | 34000201 | 1 | KIT 2 ANELLO TEN.RAD. D.22x32 | KIT 2 OIL SEAL D. 22X32X5,5 |
| KIT3 | 34000301 | 1 | KIT 3 ANELLO TEN.RAD. D.30X55X7 | KIT 3 OIL SEAL D.30X55X7 |
| KIT5 | 34000501 | 1 | KIT 5 TAPPI VALV. ASP. MAND. | KIT 5 INTAKE/DEL.VALVE CAPS |
| KIT6 | 34000601 | 1 | KIT 6 VITE FISS. PISTONE | KIT 6 PISTON BOLT |
| KIT7 | 34000701 | 1 | KIT 7 ANELLO DI TESTA D. 20 | KIT 7 HEAD RING D.20 |
| KIT10 | 34001001 | 1 | KIT 10 ANELLO DI FONDO D.20 | KIT 10 PACKING RETAINER D.20 |
| KIT28 | 34002801 | 1 | KIT 28 TEN.COMPL.PER PIST.D.20 | KIT 28 COMPL.SEAL FOR PIST.D20 |
| KIT69 | 34006901 | 1 | KIT 69 TENUTA D.20 CON RESTOP (WS153) | KIT 69 PACKING D.20 W/RESTOP |
| KIT71 | 34007101 | 1 | KIT 71 ANELLO INTERMEDIO D.20 (WS153) | KIT 71 INTERMEDIATE RING D.20 |

Albero maschio con linguetta - vers. ATEX - Male shaft (key) - vers. ATEX



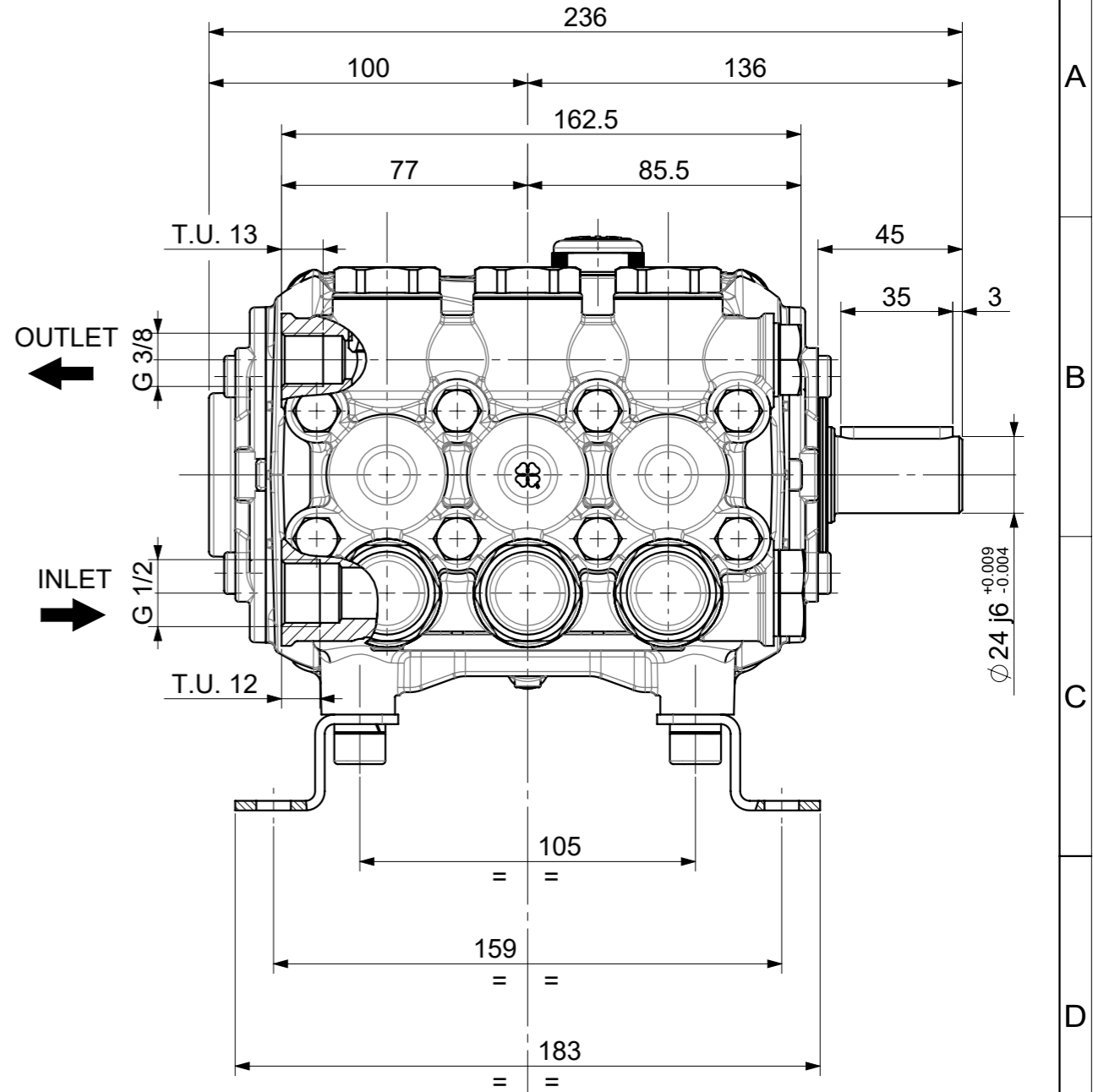
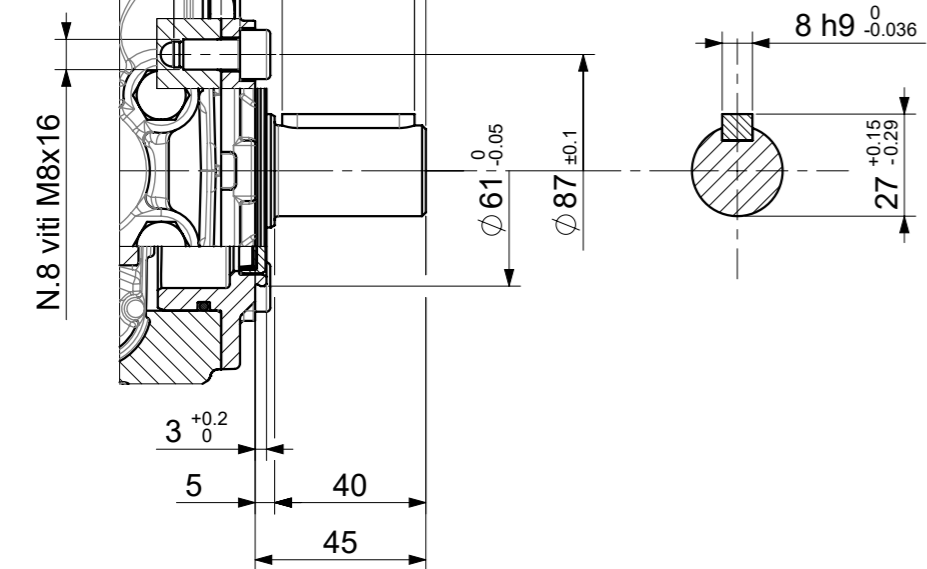
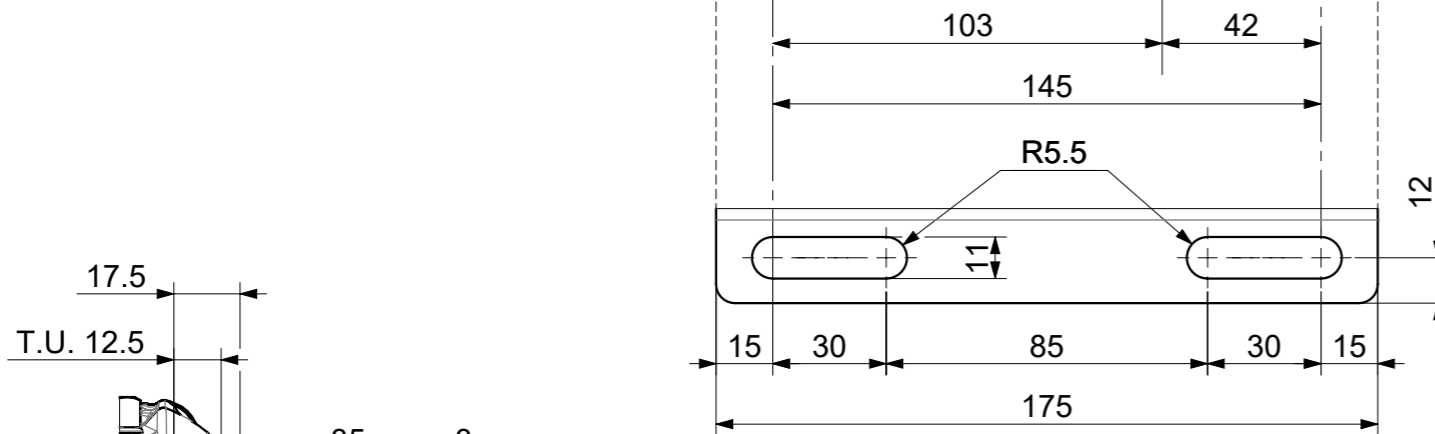
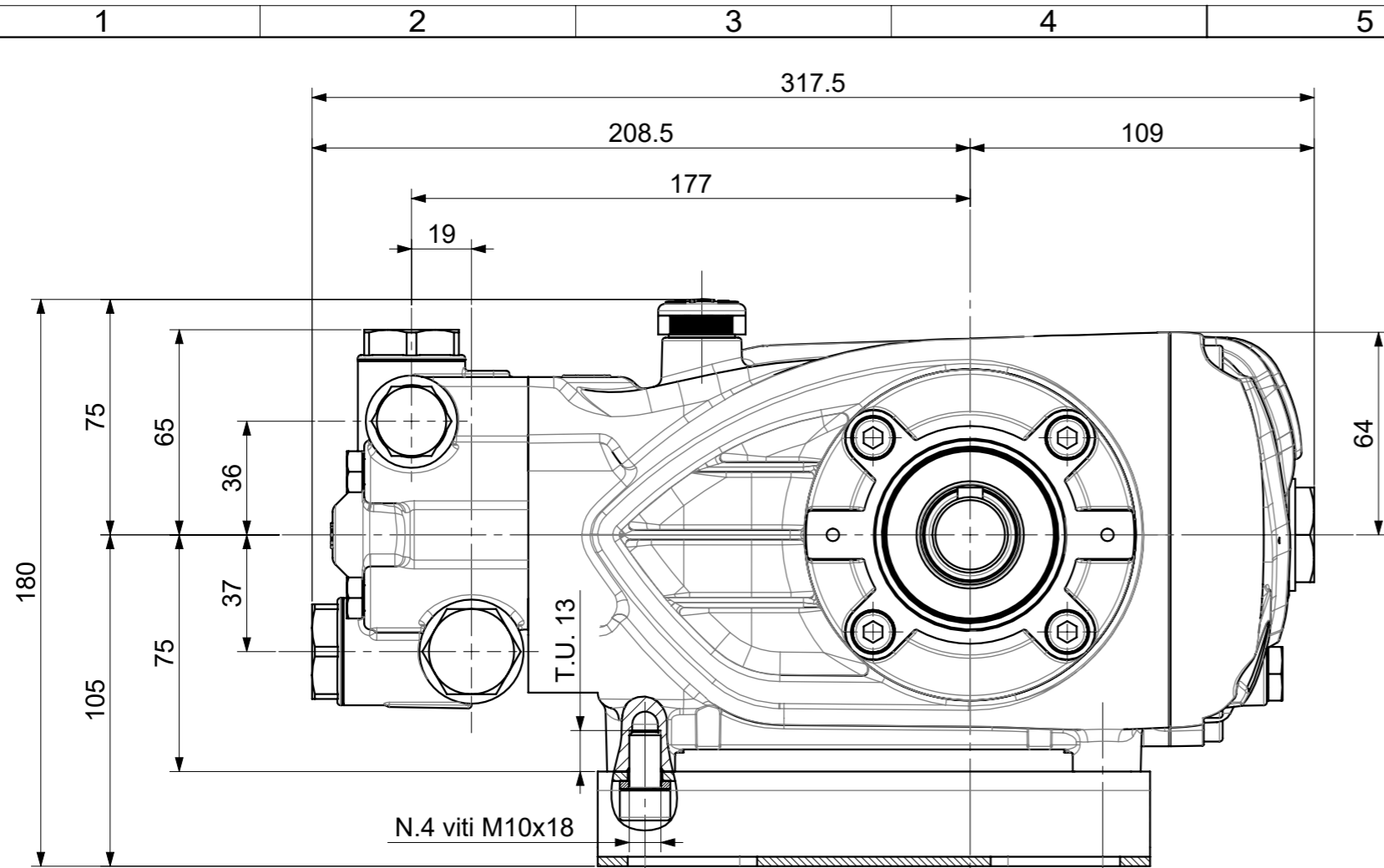
Albero maschio con linguetta - vers. ATEX - Male shaft (key) - vers. ATEX

| Ref. | Codice - Part n° | Qtà - Qty | Descrizione | Description |
|------|------------------|-----------|--|---|
| 1 | 47120241 | 1 | TESTATA POMPA D.20-22-24 NK. | MANIFOLD |
| 2 | 99320600 | 8 | VITE M08X70 5737 10.9 ZINC+DE | HEX-HEAD SCREW M08X70 UNI5737 10.9 Fe/Zn5c1A+De |
| 4 | 90384100 | 6 | OR D. 17.12x2.62 NBR 70SH 3068 | O-RING 17,12X2,62 (3068) |
| 5 | 36200366 | 6 | SEDE VALVOLA INOX | VALVE SEAT |
| 6 | 36200176 | 6 | VALVOLA SFERICA | VALVE PLATE |
| 7 | 94737600 | 6 | MOLLA Dm 9,4x14,8 INOX | SPRING D. 9,4X14,8 |
| 8 | 36200251 | 6 | GUIDA VALV.ASP.MAND. | VALVE CAGE |
| 9 | 90384700 | 6 | OR D. 20.29x2.62 NBR 90SH 3081 | O-RING 20,29X2,62(3081) |
| 10 | 98222200 | 6 | TAPPO M24x2x16.5 NICKEL | VALVE PLUG M24X2X16 NICKEL PL. |
| 11 | 36703201 | 6 | GR. VALVOLA ASP. MAND. | VALVE ASSY. |
| 12 | 99303900 | 8 | VITE M08X16 5931 8.8 ZINC | SCREW M 8x16 UNI 5931 |
| 13 | 47151322 | 1 | COPERCHIO LAT. SPIA S.47-66 ATEX | SIDE CRANKCASE COVER (ATEX) |
| 14 | 90391300 | 2 | OR D. 67.95x2.62 NBR 70SH 3268 | O-RING 67,95X2,62 (3268) |
| 15 | 91837500 | 2 | CUSCINETTO RULLI CON. 32206 | TAPER BEARING |
| 16 | 90162500 | 3 | ANELLO RAD. 22.0x32.0x5.0 (S.47-66) | OIL SEAL 22x32x5 |
| 17 | 90912600 | 3 | BOCCOLA D.22X25X30 | BUSHING 22X25X30 |
| 18 | 47010822 | 1 | CARTER POMPA 47-S | CRANKCASE |
| 19 | 98210700 | 1 | ASTA LIVELLO OLIO G3/8X64 D.4+FIL ATEX | OIL DIPSTICK G3/8X64 D4+FILTER ATEX |
| 20 | 90392200 | 1 | OR D.133.02x2.62 NBR 70SH 3525 | O-RING D.133.02X 2,62(3525) |
| 21 | 47021835 | 1 | ALBERO ECC.C.12 SPDF 24x40 (marc. 6) | CRANKSHAFT C.12 S.p.f. U.S. |
| 22 | 90055700 | 6 | ANELLO ARRESTO A12 UNI7435 | CIRCLIP D.12 UNI 7435 |
| 23 | 91489200 | 1 | LINGUETTA 08x07x035 UNI6604/A | KEY 8(h9)X7X35 UNI 6604/A |
| 24 | 97738000 | 3 | SPINOTTO D.13x35,5 (47) | CONNECTING-ROD PIN D.13X35,5 |
| 25 | 47050466 | 3 | GUIDA PISTONE - INOX | PISTON GUIDE - S.S. |
| 26 | 47030001 | 3 | BIELLA COMPLETA | CONNECTING ROD |
| 27 | 99188400 | 5 | VITE M06X20 5931 8.8 ZINC | SCREW M 6x20 UNI 5931 |
| 28 | 47160622 | 1 | COPERCHIO POSTERIORE CARTER 47-S | CRANKCASE COVER |
| 29 | 47221301 | 1 | GRUPPO SPIA LIVELLO OLIO G3/4 | OIL SIGHT GLASS ASSY G3/4 |
| 30 | 98203600 | 1 | TAPPO G1/4x8 PER SONDA D.6 SS | PLUG G1/4x8 FOR PROBE D.6 S.S. |
| 31 | 90358500 | 4 | OR D. 10.82x1.78 NBR 70SH 2043 | O-RING 10,82X1,78 (2043) |
| 32 | 99309900 | 6 | VITE M08X35 5931 8.8 ZINC | SCREW M 8x35 UNI 5931 |
| 34 | 96728600 | 3 | ROSETTA 14.0x28.0x0.5 | WASHER 14X28X0,5 |
| 35 | 47040409 | 3 | PISTONE D.20x50 | PISTON D. 20x50 |
| 36 | 90506700 | 3 | ANELLO ANTIEST. 11.0x14.0x1.5 | ANTI-EXTRUSION RING |
| 37 | 96728000 | 3 | ROSETTA 14.0x18.5x0.5 CU | WASHER 14X18,5X0,5 |
| 38 | 47219566 | 3 | VITE FISSAGGIO PISTONE | PISTON SCREW |

Albero maschio con linguetta - vers. ATEX - Male shaft (key) - vers. ATEX

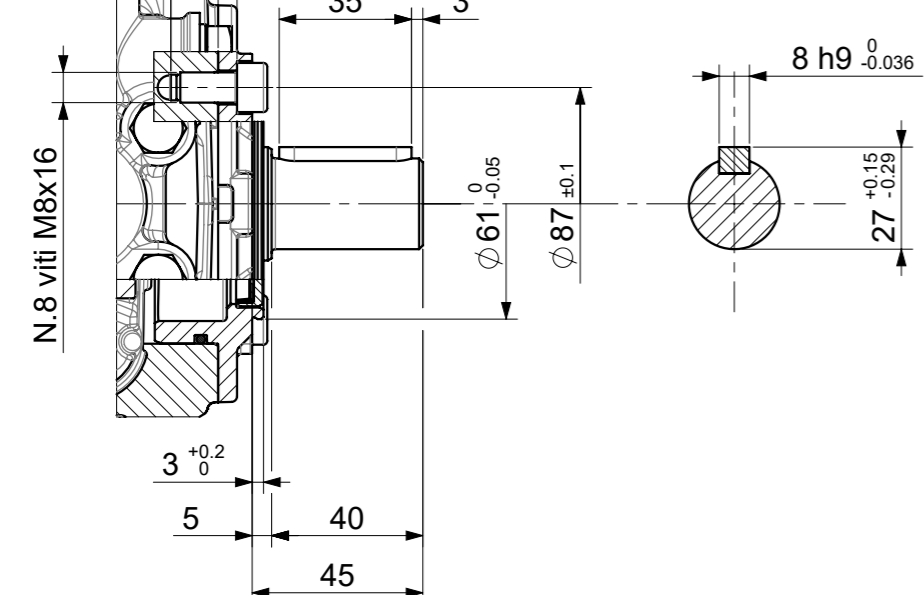
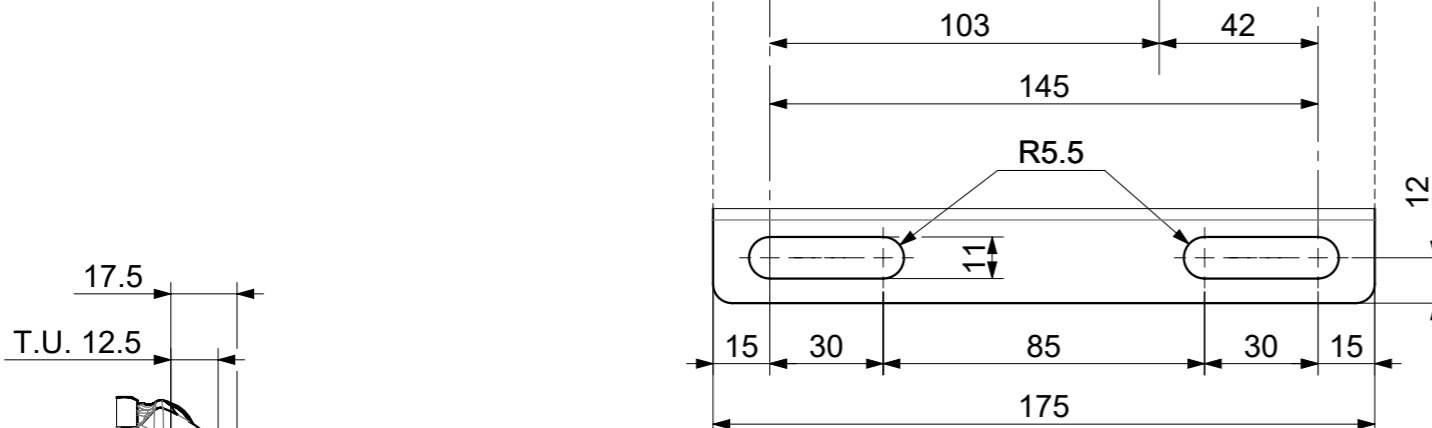
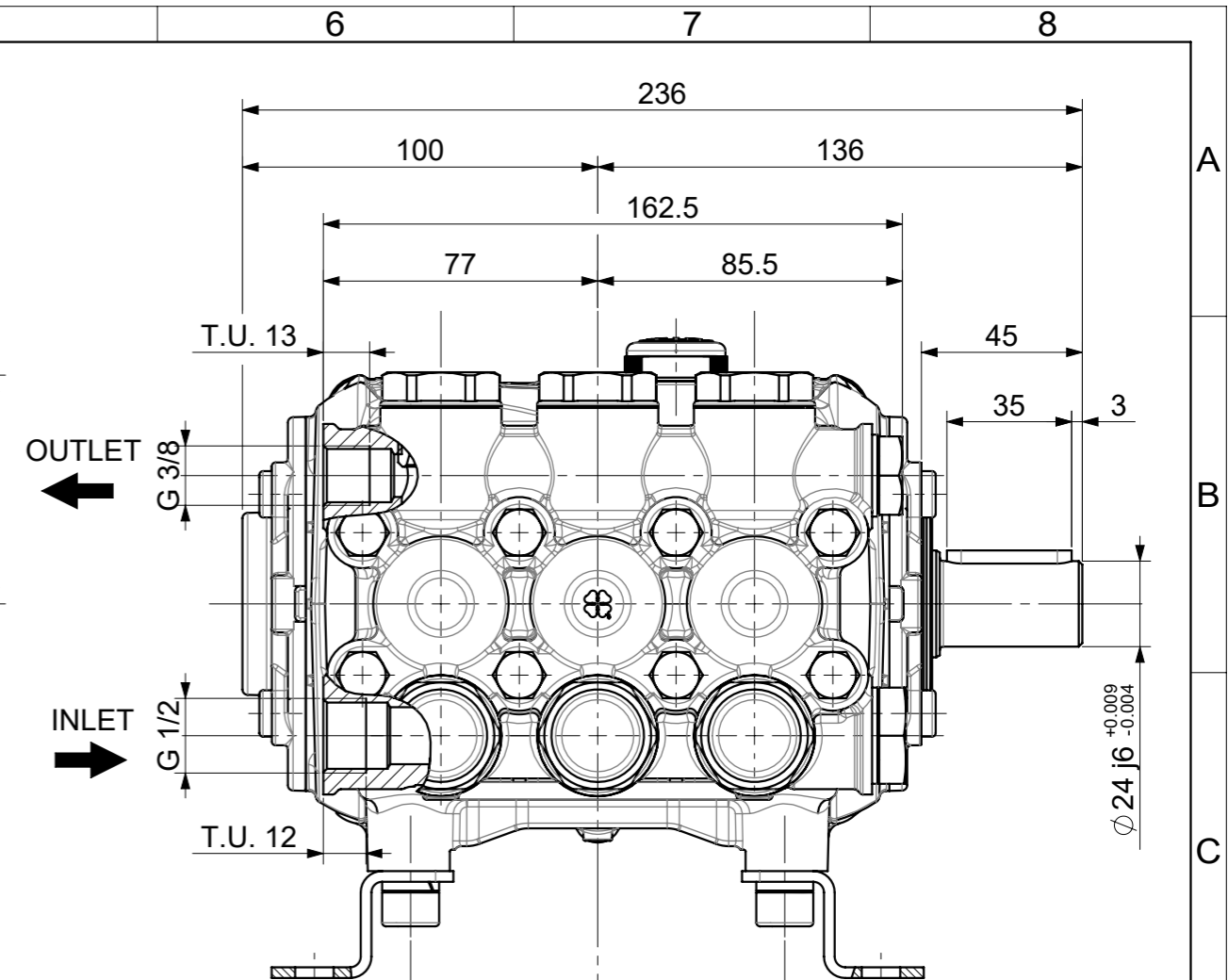
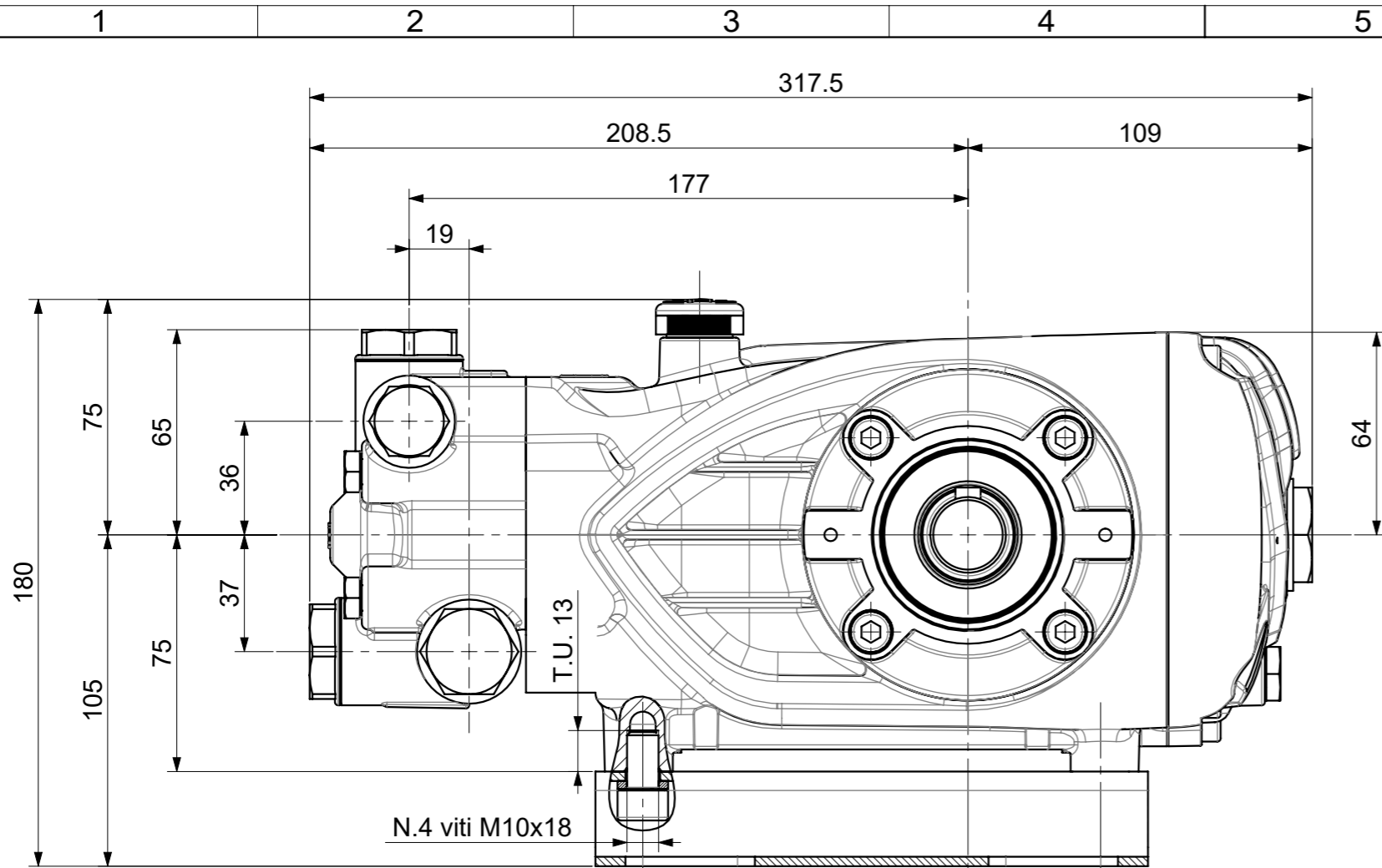
| Ref. | Codice - Part n° | Qtà - Qty | Descrizione | Description |
|-------|------------------|-----------|--|---------------------------------|
| 39 | 47151022 | 1 | COPERCHIO LAT. APERTO 47-66 | OPEN SIDE COVER (47-66) |
| 40 | 97567800 | 1 | SPESSORE D.74,5x104x0,1 SERIE 47 | SHIM D.74,5X104X0,1 |
| 40 | 97568000 | 1 | SPESSORE D.74,5X104X0,3 SERIE 47 | SHIM D.74.5X104X0.3 |
| 41 | 90164800 | 1 | ANELLO RAD. 30.0x55.0x7.0 (S.47-66) | OIL SEAL 30x55x7 |
| 42 | 90361600 | 3 | OR D. 34.65x1.78 NBR 70SH 2137 | O-RING 34,65X1,78 (2137) |
| 43 | 47080570 | 3 | ANELLO DI FONDO D.20 | PACKING RETAINER D. 20x35 |
| 44 | 90270500 | 3 | ANELLO TEN. ALT. D. 20.0x35.0x7.5 HP (70.KE) | PACKING 20x35x7,5 |
| 45 | 47100051 | 3 | ANELLO DI TESTA D.20 | HEAD RING D. 20 |
| 46 | 47216970 | 3 | ANELLO INTERMEDIO D.20 | INTERM.RING D. 20 (SPEC.) |
| 47 | 90270400 | 3 | ANELLO RESTOP 20x35x5,5/2 | RESTOP RING D. 20 TYPE 6/1 |
| 48 | 47200074 | 2 | PIEDINO POMPA RICHIESTA | PUMP FOOT |
| 49 | 99364400 | 4 | VITE M10X18 5931 8.8 ZINC | SCREW M 10x18-5931 |
| 50 | 96710600 | 4 | ROSETTA 10.2x16.0x2.5 D7980 ZINC RICH 1 | WASHER 10,2 |
| 51 | 98217600 | 1 | TAPPO G 1/2x10 OTTONE | PLUG G1/2X10 |
| 52 | 96751400 | 1 | ROSETTA 21.5x27.0x1.5 AL | WASHER 21,5X27X1,5 |
| 53 | 98210000 | 1 | TAPPO G3/8x13 OTTONE | PLUG G3/8X13 |
| 54 | 96738000 | 1 | ROSETTA 17.5x23.0x1.5 AL | WASHER 17,5X23X1,5 |
| 56 | 90271000 | 3 | ANELLO TEN.ALT.20.0x35x8.7 LP | PACKING D.20X35X9 L.P. |
| 58 | 90387700 | 1 | OR D.39,34X2,62 (3156) | O-RING 39,34X2,62 (3156) |
| 59 | 70211801 | 1 | SPIA LIVELLO OLIO | OIL SIGHT GLASS |
| 60 | 90075500 | 1 | ANELLO SEEGER PER FORO D.45 | STOP RING J45 UNI7437 |
| 61 | 96693950 | 1 | ROSETTA D.6.4X11X0.7 DIN6798 INOX | WASHER 6.4x11.0x0.7 D6798A INOX |
| 62 | 99180900 | 1 | VITE TCEI M06X10 UNI5931 INOX | SCREW M06X10 5931 A2-70 |
| KIT1 | 34000101 | 1 | KIT 1 VALVOLA ASP.MAND. | KIT 1 INTAKE/DELIVERY VALVE |
| KIT2 | 34000201 | 1 | KIT 2 ANELLO TEN.RAD. D.22x32 | KIT 2 OIL SEAL D. 22X32X5,5 |
| KIT3 | 34000301 | 1 | KIT 3 ANELLO TEN.RAD. D.30X55X7 | KIT 3 OIL SEAL D.30X55X7 |
| KIT5 | 34000501 | 1 | KIT 5 TAPPI VALV. ASP. MAND. | KIT 5 INTAKE/DEL.VALVE CAPS |
| KIT6 | 34000601 | 1 | KIT 6 VITE FISS. PISTONE | KIT 6 PISTON BOLT |
| KIT7 | 34000701 | 1 | KIT 7 ANELLO DI TESTA D. 20 | KIT 7 HEAD RING D.20 |
| KIT10 | 34001001 | 1 | KIT 10 ANELLO DI FONDO D.20 | KIT 10 PACKING RETAINER D.20 |
| KIT28 | 34002801 | 1 | KIT 28 TEN.COMPL.PER PIST.D.20 | KIT 28 COMPL.SEAL FOR PIST.D20 |
| KIT69 | 34006901 | 1 | KIT 69 TENUTA D.20 CON RESTOP (WS153) | KIT 69 PACKING D.20 W/RESTOP |
| KIT71 | 34007101 | 1 | KIT 71 ANELLO INTERMEDIO D.20 (WS153) | KIT 71 INTERMEDIATE RING D.20 |

Il presente disegno è di proprietà di Interpump Group S.p.A., ne è vietata la riproduzione o la divulgazione a termini di legge. This drawing belongs to Interpump Group S.p.A., copy or divulgation are forbidden by law.



| | | | | | | | |
|--|------------------|---|------------|--------------------|--------------------------|----------------------|-----------------------------------|
| | | | | | | | |
| REV. | Data/Date | Descrizione modifica / Modification description | | Firma/Signature | MTN° | | |
| DISEGN.: Tralli | FTECN.: Barbieri | DATA: 05/05/2022 | SCALA: 1:2 | Foglio: 1/1 | Peso: 0 g | M.T.: 4837 | |
| DENOMINAZIONE / DENOMINATION | | | | | DIS. COD. / DRAWING CODE | | REV. |
| INGOMBRO POMPA SERIE 47 - EU S/FORO | | | | | 47961400 | | 0 |
| LEGENDA CRITICITA': vedi DT n°2850000082 CRITICALITY LEGEND: according to DT n.2850000082 | | | | Sicurezza Security | Critica Critical | Importante Important | Nessun simbolo No simbol Standard |
| | | | | CRITICITA' NONE | | | |

Il presente disegno è di proprietà di Interpump Group S.p.A., ne è vietata la riproduzione o la divulgazione a termini di legge. This drawing belongs to Interpump Group S.p.A., copy or divulgation are forbidden by law.



| | | | | | |
|--|------------------|---|-----------------|--------------------------|------------------------|
| | | | | ip | |
| REV. | Data/Date | Descrizione modifica / Modification description | Firma/Signature | MT N° | |
| DISEGN.: Tralli | FTECN.: Barbieri | DATA: 05/05/2022 | SCALA: 1:2 | Foglio: 1/1 | Peso: 0 g M.T.: 4837 |
| DENOMINAZIONE / DENOMINATION | | | | DIS. COD. / DRAWING CODE | REV. |
| INGOMBRO POMPA SERIE 47 - EU S/FORO | | | | 47961400 | 0 |
| LEGENDA CRITICITA': vedi DT n°2850000082 | | Sicurezza Security | | ▲ Critica Critical | ▲ Importante Important |
| CRITICALITY LEGEND: according to DT n.2850000082 | | No simbol Standard | | CRITICITA' NONE | |